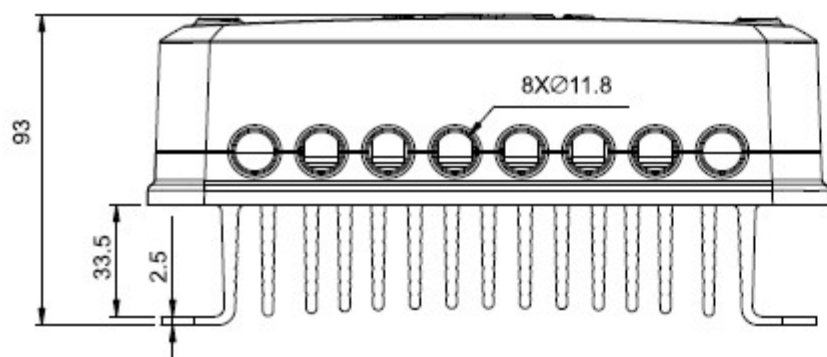
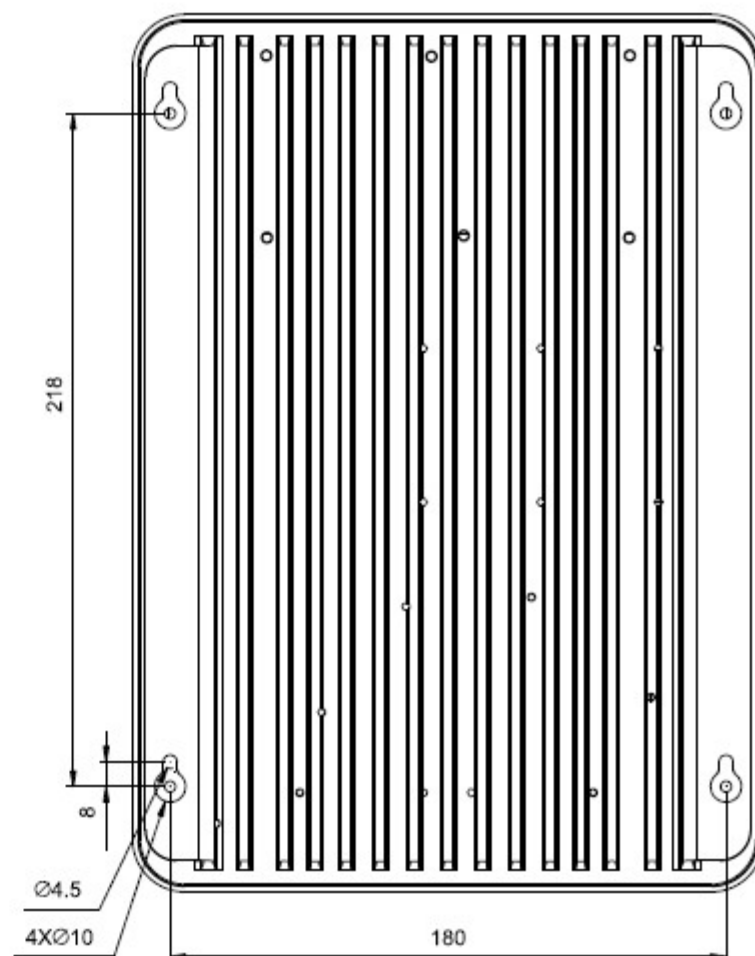
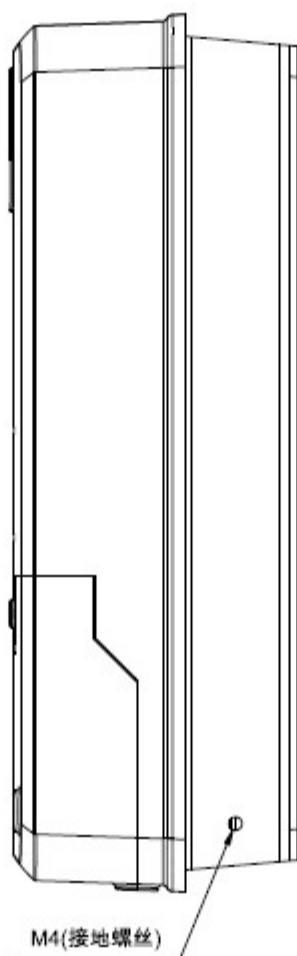
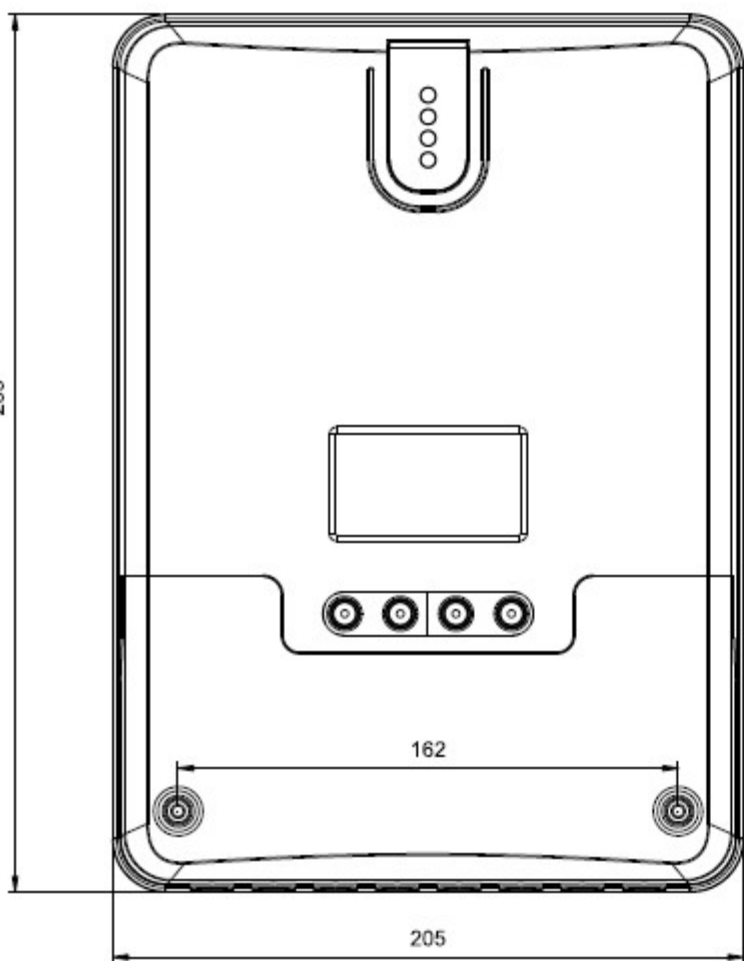


285



### Technical requirements

Product dimensions : 285\*205\*93mm

Hole positions : 218\*180mm

Hole diameter :  $\phi 4.5$

Applicable wire : diameter < 11mm